

## **Class 1 Load Carrying Vehicles Notice 2012**

### **Appendix 1 - Conditions For Oversize And Overmass Load Carrying Vehicles**

A vehicle operating under the *Class 1 Load Carrying Vehicles Notice 2012* must comply with the applicable conditions which are set out in this appendix.

For the purposes of this Appendix a major road is a major road is a defined as a classified road which means any of the following:

- (a) a main road,
- (b) a highway,
- (c) a freeway,
- (d) a controlled access road,
- (e) a secondary road,
- (f) a tourist road,
- (g) a tollway,
- (h) a transit way,
- (i) a State work.

#### **Part 1 CONDITIONS FOR OVERSIZE AND OVERMASS VEHICLES**

##### **1.1 Making an unloaded vehicle smaller**

*(Clause 3, Schedule 2 Road Transport (Mass, Loading and Access) Regulation 2005)*

An oversize vehicle without a load must be reduced to the smallest practicable dimensions, with any booms fully retracted.

##### **1.2 Warning devices for oversize vehicles**

*(Clause 4, Schedule 2 Road Transport (Mass, Loading and Access) Regulation 2005)*

1.2.1 An oversize vehicle or combination, together with any load, that is wider than 2.5 m, or longer than 25 m, must have:

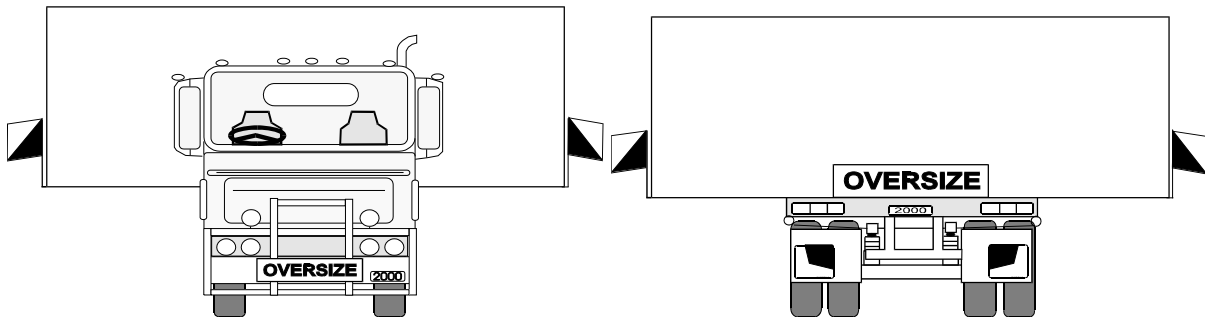
- (a) one warning sign at its front, and
- (b) one warning sign at its rear or, if it is carrying a rear-projecting load, at the rear of the load, and
- (c) 4 brightly coloured red, yellow, or red and yellow, flags, each at least 450 mm long and at least 450 mm wide.

1.2.2 One of the flags must be positioned:

- (a) at each side of the front and rear of any projecting load, or
- (b) if there is no projecting load, at each side of the front and rear of the vehicle or combination.

1.2.3 An oversize vehicle or combination that, together with any load, is not wider than 2.5 m, and whose length is more than 22 m but not more than 25 m, must have one warning sign at its rear or, if it is carrying a rear-projecting load, at the rear of the load.

1.2.4 Subclauses 1.2.1, 1.2.2 and 1.2.3 do not apply to a road construction vehicle or combination travelling within 1 km of a construction site, if the vehicle has a warning light.



- 1.2.5 If a load projects more than 150 mm beyond one side of an oversized vehicle or combination, and the projection is less than 500 mm thick from top to bottom, there must be:
- a warning light attached to the vehicle or combination, and
  - at least two yellow, rigid pieces of material (in this clause called *delineators*), one attached to the front and the other attached to the rear of the projection.
  - If the load projects more than 150 mm beyond both sides of the vehicle there must be at least 4 delineators—at least one on each side at the front and at least one on each side at the rear.

1.2.6 A delineator must:

- be at least 300 mm long and at least 300 mm wide, and
- comply with Class 1 or 2 of Australian/New Zealand Standard AS/NZS 1906.1:1993, *Retroreflective materials and devices for road control purposes*, as amended and in force at the commencement of this Regulation, and
- if at the front of the projection, be attached so that its reflective surface is facing forward of the vehicle, and
- if at the rear of the projection, be attached so that its reflective surface is facing rearward from the vehicle.

1.2.7 In the daytime, an oversized vehicle or combination must display a warning light if the vehicle, together with any load, is wider than 3 m.

**NOTE:** *Parts 4 and 5 set out requirements for warning lights and signs.*

*In addition to the requirements in this clause, any load projecting more than 1.2 m behind the vehicle must display warning flags in the daytime, in accordance with Schedule 1 of the Regulation.*

### 1.3 Additional warning devices at night

*(Clause 5, Schedule 2 Road Transport (Mass, Loading and Access) Regulation 2005)*

1.3.1 At night, an oversized vehicle or combination must display:

- lights showing yellow to the front and red to the rear (known as *side markers*) no more than 2 m apart along both sides of the vehicle and along any front or rear projection, and
- two red lights (known as *rear markers*) fixed to the rear of any rear-projecting load, within 400 mm of each side of the load, and at least 1 m but not more than 2.1 m above the ground, and
- a warning light if the vehicle or combination, together with any load, is wider than 2.5 m or longer than 22 m.

### 1.4 Headlights

*(Clause 6, Schedule 2 Road Transport (Mass, Loading and Access) Regulation 2005)*

An oversized vehicle, or the front vehicle in an oversized combination, must have its low-beam headlights on while travelling in the daytime, unless it is not required under the *Road Transport (Vehicle Registration) Regulation 2007* to have headlights.

## **1.5 Travel restrictions at night**

*(Clause 7, Schedule 2 Road Transport (Mass, Loading and Access) Regulation 2005)*

Refer to Appendix 2 night travel restrictions.

## **1.6 No travelling if low visibility**

*(Clause 8, Schedule 2 Road Transport (Mass, Loading and Access) Regulation 2005)*

1.6.1 A vehicle or combination must not begin to travel if, due to circumstances such as fog, heavy rain, smoke, dust or insect plague:

- (a) visibility is less than 250 m in the daytime, or
- (b) the headlights of a vehicle approaching within 250 m could not be seen at night.

1.6.2 If a vehicle or combination is already travelling when visibility is reduced to the level described in subclause (1), the driver must drive it into the nearest safe parking area, and wait until visibility improves beyond that level before continuing to travel.

## **1.7 Minimum following distance**

*(Clause 9, Schedule 2 Road Transport (Mass, Loading and Access) Regulation 2005)*

1.7.1 A person driving an oversize vehicle or combination must maintain a distance of at least 200 m from an oversize vehicle or combination travelling in front of it, unless:

- (a) it is overtaking the front one, or the front one is stopping, or
- (b) there is a separate lane available for the use of overtaking traffic, or
- (c) it is in an urban area and it is not reasonably practicable to maintain a distance of 200 m.

## **1.8 Assessing routes**

*(Clause 10, Schedule 2 Road Transport (Mass, Loading and Access) Regulation 2005)*

1.8.1 Before a vehicle or combination is driven along any route, its driver and owner must be satisfied that the route has been assessed and that the vehicle or combination can be driven along it without contravening subclause (2).

1.8.2 A vehicle or combination must not be driven along a route if to do so would be likely to cause:

- (a) disruption to telecommunication, electricity, rail, gas, water or sewage services, or
- (b) damage to a road (including a bridge), structure, rail crossing or tree.

1.8.3 Subclause 1.8.2 does not apply if the authority responsible for the services or property has given permission for the vehicle or combination to travel along the route, and the vehicle or combination is driven in accordance with the permission.

## **1.9 Allowing Vehicles to Overtake**

If traffic banks up behind an oversize vehicle, its operator must move the vehicle to the side of the road, and if necessary, stop as soon as it is safe to do so to allow following vehicles to overtake.

## **Part 2 - Conditions for Load Carrying Oversize and Overmass Vehicles**

### **2.1 Minimising width**

*(Clause 13, Schedule 2 Road Transport (Mass, Loading and Access) Regulation 2005)*

2.1.1 If a load can be safely loaded in more than one way, it must be loaded in a way that minimises the width of the vehicle or combination and its load.

2.1.2 An unladen low loader, low loader dolly or jinker, with 4 tyres on each axle, must not be wider than 2.5 m.

2.1.3 An unladen low loader, low loader dolly or jinker, with 8 tyres on each axle, must not be wider than 2.7 m.

### **2.2 Carrying goods in addition to a large indivisible item**

*(Clause 14, Schedule 2 Road Transport (Mass, Loading and Access) Regulation 2005)*

2.2.1 A vehicle or combination must not carry more than one large indivisible item unless:

- (a) the vehicle or combination and its load complies with the mass limits in Schedule 1 to the Regulation, and
  - (b) the carrying of additional large indivisible items does not cause the vehicle or combination and its load to exceed a dimension limit in Schedule 1 that would not have been exceeded by the carrying of one of the large indivisible items.
- 2.2.2 A vehicle or combination carrying one or more large indivisible items must not carry any other goods unless:
- (a) the vehicle or combination and its load complies with the mass limits in Schedule 1 to the Regulation, and
  - (b) the other goods are contained within the dimension limits in Schedule 1 to the Regulation.
- 2.2.3 Despite subclause 2.2.2, a vehicle or combination carrying a special purpose vehicle or agricultural vehicle may also carry any equipment, tools, substances or detached parts to be used in conjunction with the vehicle being carried.
- 2.3 Towing a low loader dolly with an unladen low loader**  
*(Clause 15, Schedule 2 Road Transport (Mass, Loading and Access) Regulation 2005)*
- 2.3.1 An unladen low loader must not be towed in a combination with a low loader dolly unless:
- (a) the combination is 2.5 m wide or less, and
  - (b) it would be unreasonable to require the dolly to be loaded onto the low loader because of the short distance to be travelled, or special difficulties in loading or unloading the dolly due to the nature of the site.
- 2.3.2 For the purpose of clause 2.3.1(b), a short distance under this notice is 25km or less.

### **Part 3 - Pilot and Escort vehicle requirements**

**Note:** The responsibility of a pilot vehicle are to provide advance warning to approaching traffic, and to be positioned to give adequate warning to other road users. In some instances, more than one pilot vehicle will be needed to meet these responsibilities.

#### **3.1 Pilot vehicle requirements**

*(Part 5, Schedule 2 Road Transport (Mass, Loading and Access) Regulation 2005)*

- 3.1.1 A pilot vehicle must have 4 or more wheels and a GVM of:
- (a) 6.5 tonnes or less in the case of a rear pilot vehicle if two pilot vehicles are required, or
  - (b) 4.5 tonnes or less in any other case.
- 3.1.2 A pilot vehicle must have a warning sign on its roof.
- 3.1.3 A pilot vehicle must only have a warning light attached:
- (a) above or below the sign, or
  - (b) each side of the sign.

**NOTE:** Refer to Part 4 – Warning Lights for requirements of a warning light.

#### **3.2 Requirements for an escort vehicle**

- 3.2.1 An escort vehicle other than a police motor cycle must have:
- (a) 4 or more wheels, and
  - (b) A GVM of 4.5 tonnes or less, and
  - (c) On its roof a light that flashes or 2 lights that flash when switched on.
- 3.2.2 A light referred to in 3.2.1 must flash yellow unless the vehicle is a police vehicle or a vehicle belonging to an Authority and the light is of a colour approved under Schedule 2 to the *Road Transport (Vehicle Registration) Regulation 2007*.

#### **3.3 Headlights on a pilot or escort vehicle**

The low-beam headlights on a pilot vehicle or escort vehicle must be switched on when it is accompanying an oversize vehicle or combination during the daytime.

### **3.4 What may a pilot or escort vehicle carry?**

A pilot or escort vehicle must not tow a trailer or carry a load, but it may carry tools, equipment or substances for use in connection with the oversize vehicle or combination that it is accompanying or for restraining the load on that vehicle or combination.

### **3.5 Where must a pilot or escort vehicle be driven?**

3.5.1 When 1 pilot vehicle accompanies an oversize vehicle or combination, the pilot vehicle must travel:

- (a) Behind the oversize vehicle or combination if they are on a divided road, or
- (b) In front of the oversize vehicle or combination if they are on a road that is not divided.

3.5.2 When 2 pilot vehicles accompany an oversize vehicle or combination, one pilot vehicle must travel in front of the oversize vehicle or combination, and the other behind it.

3.5.3 A pilot vehicle must travel far enough away from the oversize vehicle or combination it is accompanying to give adequate warning to other road users of the presence of the oversize vehicle or combination, taking into account traffic speed, weather, visibility and other driving conditions.

### **3.6 Communication between drivers**

3.6.1 An oversize vehicle or combination and any accompanying pilot or escort vehicle must have an electronic device that allows the drivers to communicate effectively with each other.

3.6.2 Subclause 3.6.1 does not apply to:

- (a) an oversize agricultural machine, or
- (b) an oversize combination that includes an agricultural machine, or
- (c) an escort vehicle that is a police vehicle.

## **Part 4 - Warning Lights**

*(Part 6, Schedule 2 Road Transport (Mass, Loading and Access) Regulation 2005)*

### **4.1 Characteristics of warning lights**

4.1.1 When switched on, a warning light on an oversize vehicle or combination or pilot vehicle must:

- (a) Emit a rotating, flashing, yellow coloured light, and
- (b) Flash between 120 and 200 times a minute, and
- (c) Have a power of at least 55 watts, and
- (d) Not be a strobe light.

### **4.2 Visibility of warning lights**

4.2.1 A warning light on an oversize vehicle or combination or a pilot or escort vehicle must be:

- (a) Clearly visible at a distance of 500 m in all directions, or
- (b) Supplemented by one or more additional warning lights so that the light emanating from at least one of them is clearly visible at a distance of 500 m in any direction.

4.2.2 Despite subclause 4.2.1, in the case of a pilot vehicle travelling in front of an oversize vehicle or combination, a filter may be placed behind the warning light on the pilot vehicle, to reduce the intensity of the light directed to the driver of the oversize vehicle or combination.

### **4.3 Warning lights to be on if required, and off if not**

4.3.1 Any warning light which an oversize vehicle or combination or pilot vehicle is required to have must only be switched on when the vehicle or combination is travelling or is stationary in a position that is likely to cause danger to other road users.

4.3.2 Any warning light which a pilot or escort vehicle is required to have must be switched on when the vehicle is travelling and accompanying an oversize vehicle or combination.

4.3.3 If a vehicle or combination is not required under the Regulation to have a warning light, it must not have one that is switched on.

## **PART 5 - WARNING SIGNS**

*(Part 7, Schedule 2 Road Transport (Mass, Loading and Access) Regulation 2005)*

### **5.1 What specifications must a warning sign comply with?**

A warning sign must comply with the specifications in this Part (5) if it is on an oversize vehicle or combination or a pilot vehicle.

### **5.2 Face of a warning sign**

5.2.1 The face of a warning sign must have a yellow surface that complies with Class 1 or 2 of Australian/New Zealand Standard AS/NZS 1906. One:1993, *Retro-reflective materials and devices for road control purposes*, as amended and in force at the commencement of this Regulation, Parts 1–4 (inclusive).

5.2.2 The face of the warning sign must have a black border at least 20 mm wide.

5.2.3 The outermost edge of the border must be set at least 10 mm in from the edge of the sign unless the sign has been made with a box edge.

5.2.4 The warning sign must display the sign manufacturer's name or logo, and the brand and class of retro-reflective material used, in block letters not less than 3mm and not more than 10 mm high.

5.2.5 The marking may appear in any visible location on the sign, except in a bottom corner of a sign used on a pilot vehicle.

### **5.3 Material for a warning sign**

5.3.1 A warning sign must be made of stiff, flat, weatherproof material.

*NOTE: Zincalume at least 0.8 mm thick and aluminium at least 1.6 mm thick are examples of material that would comply with 5.3.1.*

5.3.2 Despite 5.3.1, a warning sign may be made of a flexible material if the sign is mounted in such a way that it is held taut and unlikely to furl, become dislodged from its position or otherwise become difficult to read by other road users.

5.3.3 A flexible warning sign must comply with all other requirements of this Part as if it were a stiff sign.

5.3.4 A warning sign must be kept in such a condition that its message can be easily read by other road users.

### **5.4 Keeping signs clean**

A warning sign on a vehicle must be kept clean enough so that it can be easily read by other road users.

### **5.5 Warning sign must not be displayed if not required**

A warning sign must not be displayed on a vehicle or combination that is not operating oversize or as a pilot vehicle.

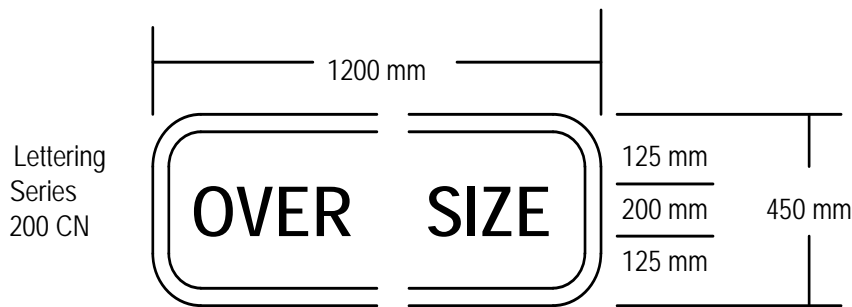
## **PART 6 - OVERSIZE VEHICLES ONLY**

*(Division 3, Schedule 2 Road Transport (Mass, Loading and Access) Regulation 2005)*

### **6.1 Size of a warning sign**

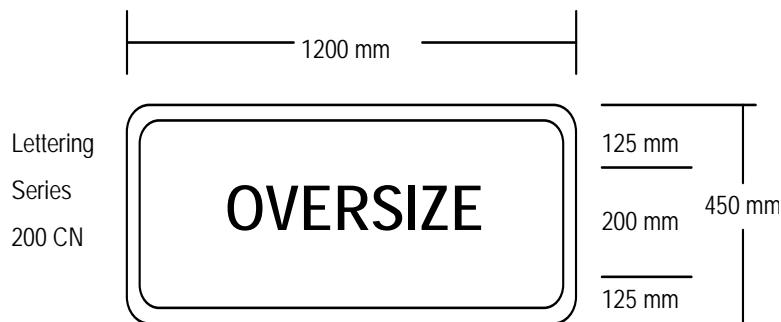
6.1.1 A warning sign on an oversize vehicle or combination must be at least 1200 mm long and at least 450 mm high.

6.1.2 The sign may be split into two parts, in which case the combined length of its parts must be at least 1200 mm.



## 6.2 Face of a warning sign

- 6.2.1 A warning sign on an oversize vehicle or combination must show the word “OVERSIZE”, in black upper-case lettering, conforming with Australian Standard AS 1744—1975, *Forms of letters and numerals for road signs*, in typeface Series 200 C(N).
- 6.2.2 The lettering must be at least 200 mm high.
- 6.2.3 The top and the bottom of the lettering must be at least 125 mm from the top and bottom of the sign, respectively.
- 6.2.4 If the sign is split into two parts:
- The part mounted on the left must show the letters “OVER” and the part mounted on the right must show the letters “SIZE”, and
  - There must be no border between the two parts, despite subclauses 6.2.1 and 6.2.2.



## 6.3 Mounting a warning sign

- 6.3.1 A warning sign on an oversize vehicle or combination must be mounted vertically.
- 6.3.2 The lower edge of the sign must be:
- Above the bottom of the bumper bar, or
  - If there is no bumper bar—at least 500 mm from the ground level.
  - No part of a warning sign may be higher than 1.8 metres above the ground.
- 6.3.3 If the sign is split into two parts, each part must be fitted at the same height as the other.

## PART 7 - PILOT VEHICLES ONLY

(Division 4, Schedule 2 Road Transport (Mass, Loading and Access) Regulation 2005)

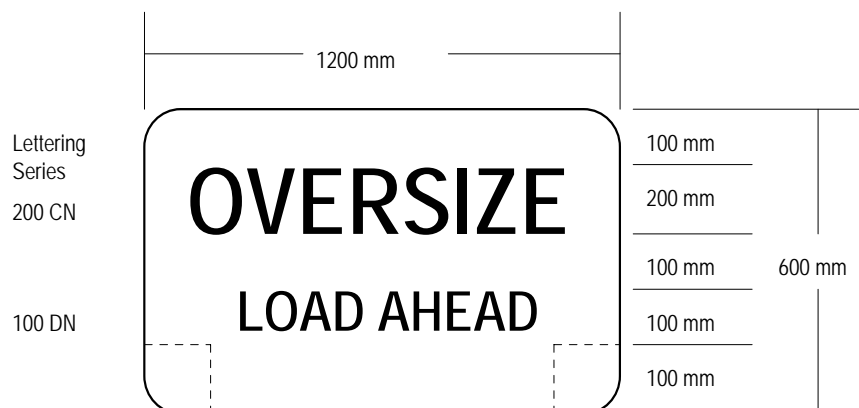
### 7.1 Size and shape of a warning sign

- 7.1.1 A warning sign on a pilot vehicle must be at least 1200 mm long and at least 600 mm high.
- 7.1.2 The sign may have bottom corner cut-outs not more than 150 mm wide and not more than 100 mm high if they are needed for mounting the warning lights.

### 7.2 Faces of a warning sign

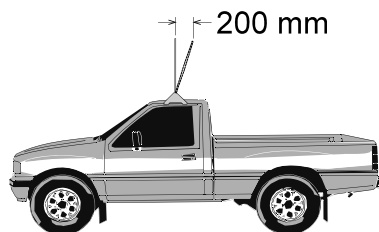
- 7.2.1 Both faces of a warning sign on a pilot vehicle must show:
- The word “OVERSIZE”, in black upper-case lettering at least 200 mm high, conforming with Australian Standard AS 1744—1975, *Forms of letters and numerals for road signs*, in typeface Series 200 C(N), and
  - The words “LOAD AHEAD”, in black upper-case lettering at least 100 mm high, conforming with Australian Standard AS 1744—1975, *Forms of letters and numerals for road signs*, in typeface Series 100 D(N).

- 7.2.2 The bottom of the lettering of the word “OVERSIZE” must be at least 300 mm from the bottom of the sign.
- 7.2.3 The bottom of the lettering of the words “LOAD AHEAD” must be at least 100 mm from the bottom of the sign.



**7.3 Mounting a warning sign**

A warning sign on a pilot vehicle must not lean back so that there is more than 200 mm measured horizontally from the top of the sign to a vertical line running through the bottom of the sign.



**Part 8 Interpretation**

*(Part 8, Schedule 2 Road Transport (Mass, Loading and Access) Regulation 2005)*

**8.1 References to vehicles and combinations**

In this Notice:

- (a) A reference to a vehicle or combination is a reference to a vehicle or combination that is oversize or overmass or both, and
- (b) A reference to an oversize vehicle or oversize combination is a reference to a vehicle or combination that is oversize or oversize and overmass, and
- (c) A reference to an overmass vehicle or combination is a reference to a vehicle or combination that is overmass, or overmass and oversize.

**8.2 Measuring distances between parallel lines**

In this Notice a reference to a distance between 2 lines that are parallel means the distance measured at right angles between the lines.

**8.3 Application to retractable axles**

For the purposes of this Notice, a retractable axle must be taken to be an axle when it is in the lowered position and must be taken not to be an axle when it is in the raised position.